

# Kaiser Roll Doors Premier-Roll Door Order Form

CUSTOMER NAME  DELIVERY DATE REQ

CUSTOMER REFERENCE  ORDER DATE

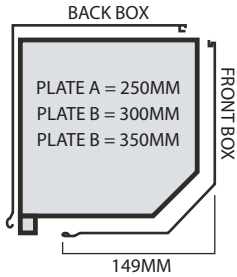
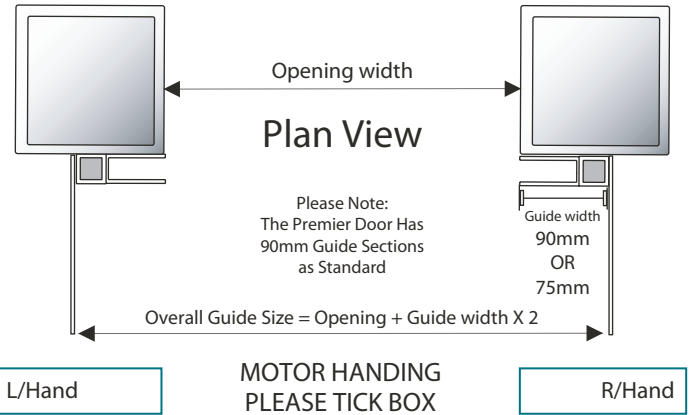
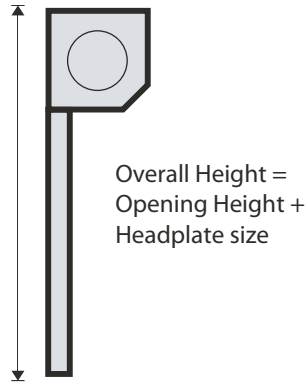


PLATE SIZE	SHUTTER HEIGHT OVERALL
A	2150
B	3000
C	4000



Overall Width  Overall Height  Guide Width  Reveal Or Face Fix

Shaded Boxes Indicate Standard Colour Option. Please Tick Colour Option Required.

Colour Options	White	Brown	Red	Green	Beige	Grey	Lt. Blue	Dk. Blue	Black	Yellow	Teak	Foil Finish	
												Light Teak	Mahogany
Curtain													
Back Box													
Front box													
Guide Section													
Head Plate													
Vision Panel													

NOTE: IF INSTALLING PREMIER-ROLL DOOR EXTERNALLY, A FULL BOX MUST BE USED.

Premier Roll Build Options	Qty	Total Value
Optional Premier-Roll Colour Finish Per Sq/Metre		
Optional Foil Cover Colour Finish Per Sq/Metre		
Front Box Per Linear Metre (White Or Brown)		
Back Box Per Linear Metre (White Or Brown)		
Front Box Per Linear Metre (Special Colour)		
Back Box Per Linear Metre (Special Colour)		
Guide 7 Head Plate Per Shutter (Special Colour)		
Glazed Vision Panel Per Linear Metre		
Glazed Vision Pane Per Linear Meter (Special Colour)		
Auto-Locking System (One Per 800mm Required)		
Low Level Manual Over-Ride Facility		
Crank Handle 1.5 Meter Photo Cell Cover (Pair)		
Photo Cell Cover (Pair)		
Battery Standby Unit With Battery Sleep Function (Single Door)		
Battery Standby Unit With Battery Sleep Function (Double Door)		
Single Channel Keyfob Transmitter (One Door)		
Twin Channel Keyfob Transmitter (Two Doors)		
Triple Channel Keyfob Transmitter (Three Doors)		
Gate Interface Card (Please Order Keyfob Transmitters Separately)		
Enclosure For Gate Interface Card		
Digital Keypad Entry System		

Order Value (List Price)	£
Discounted Price	£
Build Options	£
Total Value	£

VAT Charged at 17.5%

Customer Signature

Please refer to your pricing booklet for your build option prices.